



VX115

15 inch Direct-Radiating Subwoofer



Overview

The VX115 is a 15 inch, vented subwoofer that provides extended low-frequency response when used in conjunction with other Venueflex spatial audio loudspeakers. In addition, the VX115 is an integral component of Venueflex active bass control technologies. Its high power transducer provides a physically engaging musicality like that produced by larger systems.

Fulcrum Acoustic's **TQ™** processing is an integral part of the VX115 design. Sound, innovative acoustical design combined with state of the art digital processing leads to exceptional clarity and precise transient response, even at very high sound pressure levels. The required digital signal processing is provided exclusively by Venueflex signal processors.

Technologies

The 15 inch woofer in the VX115 has a high power, 4 inch voice coil, and is capable of impressively large excursion. The enclosure is optimally tuned to provide maximum low frequency output in an extremely compact package.

Performance Specifications¹

Operating Mode

Single-amplified w/ DSP

Operating Range²

30 Hz to 135 Hz

Nominal Beamwidth

Spherical within operating range

Transducers

LF: 15.0" woofer, 4.0" voice coil; ceramic magnet

Power Handling @ Nominal Impedance³

75 V / 700 W @ 8 Ω

Nominal Sensitivity @ Input Voltage⁴ (half / whole space)

101 dB / 95 dB @ 2.83 V

Nominal Maximum Continuous SPL (half / whole space)

136 dB / 130 dB peak

130 dB / 124 dB continuous

Equalized Sensitivity @ Input Voltage⁵ (half / whole space)

98 dB / 92 dB @ 2.83 V

Equalized Maximum SPL⁶ (half / whole space)

132 dB / 126 dB peak

126 dB / 120 dB continuous

Recommended Power Amplifier

700 W to 1050 W @ 8 Ω

Physical Specifications

Connections

Terminal strip input

Mounting / Suspension Points

(16) M10 x 1.5 eye bolt angle points

Dimensions / Weight

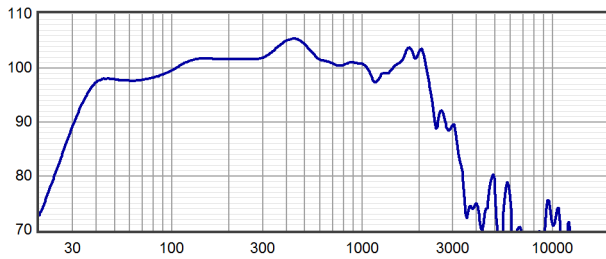
See page 4

Finish

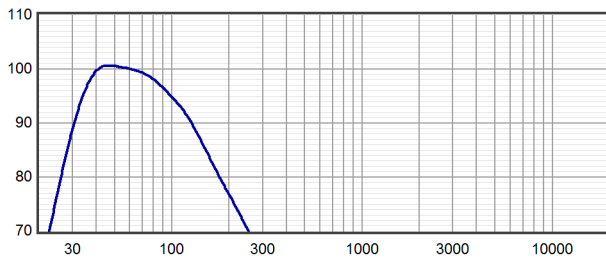
Black painted enclosure w/ matte black grille



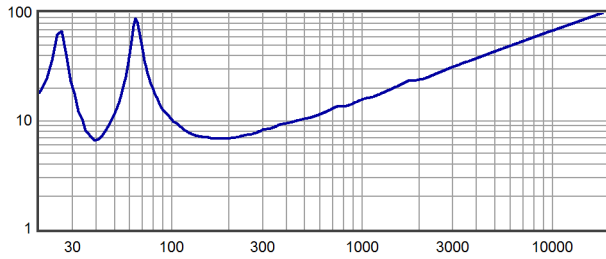
Axial Sensitivity (dB SPL, 2.83 V @ 1 m, half space)^{7,8}



Axial Processed Response (dB, half space)^{7,9}



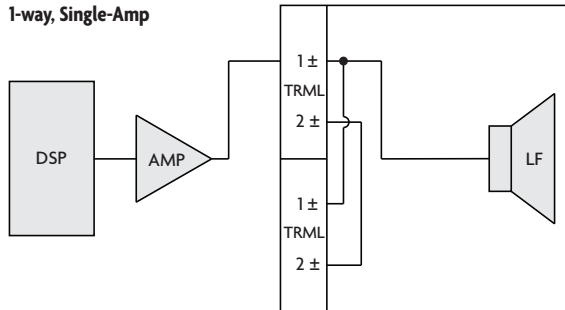
Impedance (ohms)





Connection Diagram

1-way, Single-Amp

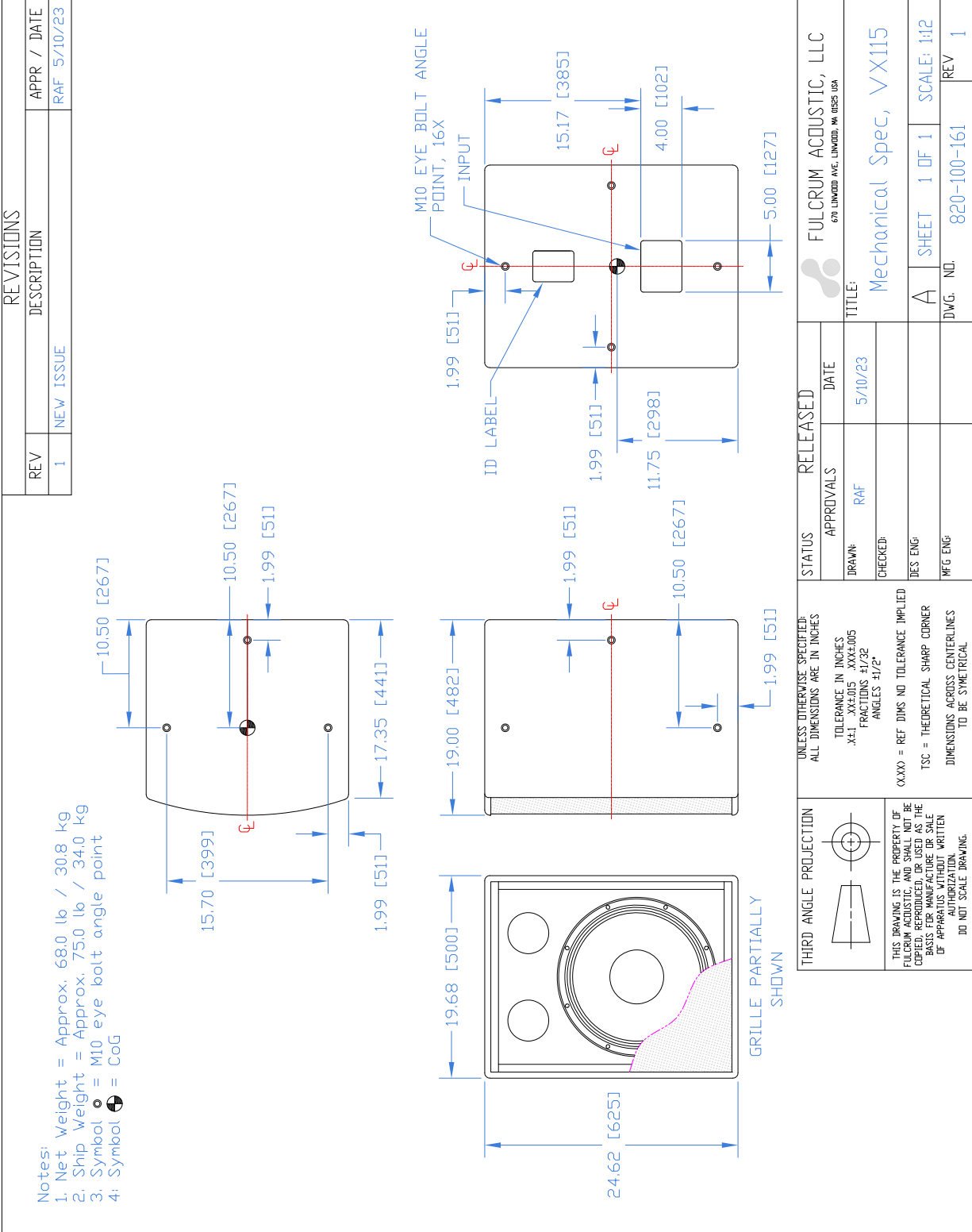


Mechanical Specification Drawings

2D and 3D DWG dimensional drawings are available for download at www.fulcrum-immersive.com.

Notes

- ¹ **Performance Specifications** All acoustic specifications rounded to nearest whole number. External DSP with Fulcrum Acoustic-provided settings is required to achieve the specified performance.
- ² **Operating Range** The frequency range within which the processed response is within 10 dB of the average.
- ³ **Power Handling** Based on the AES power handling of the transducers.
- ⁴ **Nominal Sensitivity** The 1-meter-referenced SPL produced by a 1 watt band limited pink noise signal, with no processing applied.
- ⁵ **Equalized Sensitivity** The 1-meter-referenced SPL produced when an EIA-426-B signal is applied to an equalized loudspeaker system, at a level which produces a total power of 1 watt, in sum, to the loudspeaker subsections.
- ⁶ **Equalized Maximum SPL** The 1-meter-referenced SPL produced when an EIA-426-B signal is applied to an equalized loudspeaker system, at a level which drives at least one subsection to its rated power.
- ⁷ **Resolution** All response graphs are subjected to 1/6 octave cepstral smoothing with a gaussian weighting function.
- ⁸ **Axial Sensitivity** The SPL plotted against frequency for a 1 watt swept sine wave, referenced to 1 m with no signal processing.
- ⁹ **Axial Processed Response** The axial magnitude response with recommended signal processing applied.



Drawing is reduced. Do not scale.